

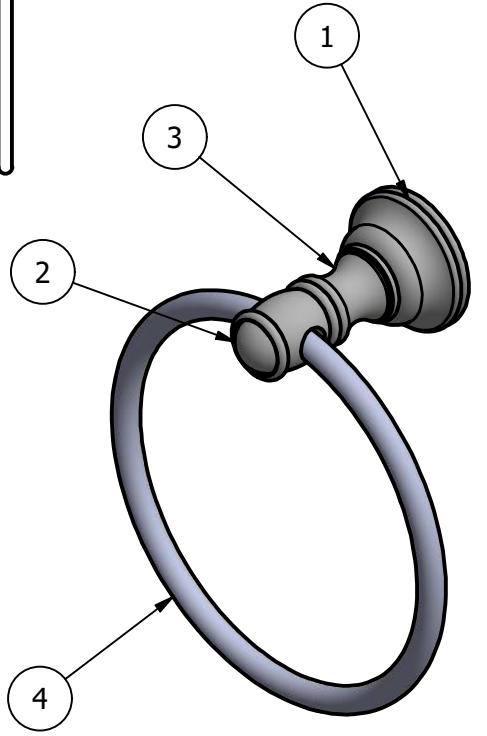
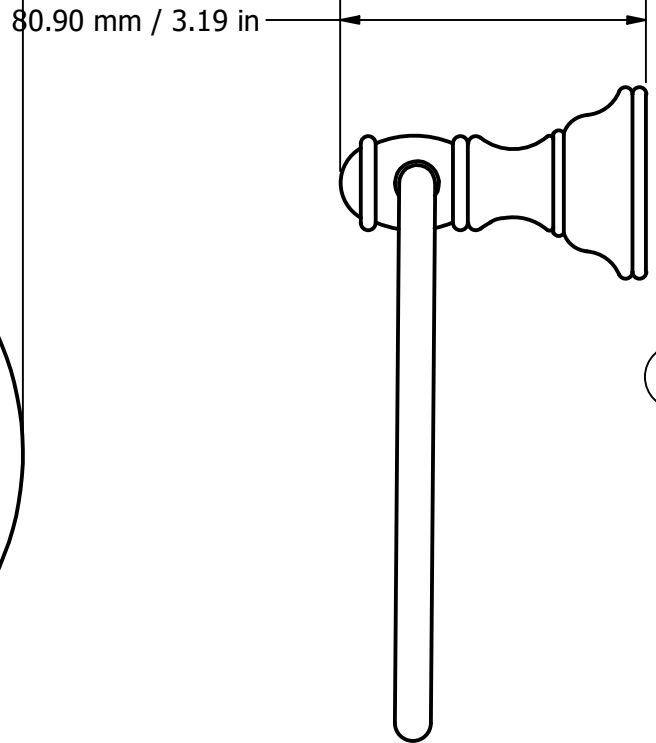
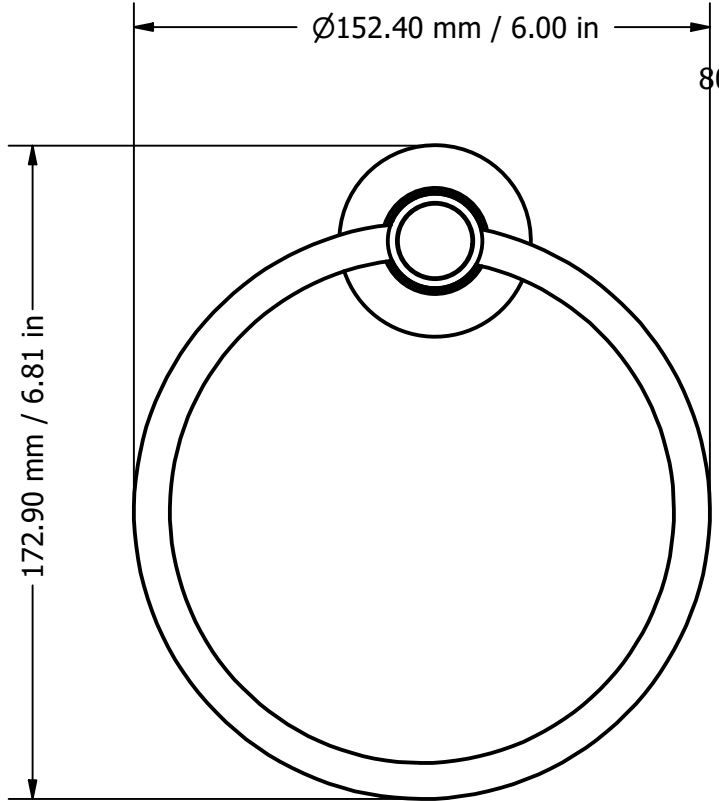
2

1

PARTS LIST			
ITEM	QTY	PART NUMBER	DESCRIPTION
1	1	TBBS-2	BACKPLATE
2	1	CL-CAP	CAP
3	1	RGPS-2	HUB
4	1	TRMT-6	RING

B

B



A

A

UNLESS OTHERWISE SPECIFIED	
.X	± .3mm
.XX	± .15mm
.XXX	± .008mm

UNIT IS IN MM.

APPROVED FOR PRODUCTION
 By: RICHARD PAUL
 Date: 2-14-20

DRAWN	2-14-20	IM	MATERIAL:	BRASS		FINISH	TBD
CHECKED	2-14-20	P.D.	DESCRIPTION:			QTY	TBD
APPROVED	2-14-20	R.A.	Carolina Towel Ring			DRAWING NO.	
						CL-16	
					SCALE	1.5:1	SHEET: 1 OF 1

2

1